

Leveling Sets

Steel / Stainless Steel, with Spherical Washer, without Locknut

SPECIFICATION

Steel 1.7225 (42 CrMo 4 V) ST

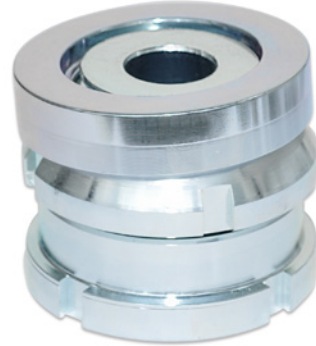
Zinc plated, blue passivated

Stainless steel AISI 303 (X 10 CrNiS 18-9) NI

INFORMATION

Leveling sets GN 350.2 are used for leveling, adjusting and linking operations. The spherical washer allows precise installation of two non parallel planes at a required gradient up to $\approx 4^\circ$.

They comprise a threaded upper sleeve and an internal threaded lower sleeve. The fine thread allows a stepless and precise setting and locking using the C-Spanner DIN 1810 (see page 994). A locking ring serves as a height limiter for the max. height.



ACCESSORY

- DIN 1810 C-Spanner (Code no. see table) (see page 994)

TECHNICAL INFORMATION

- Strength Values of Screws (see page A22)
- Stainless Steel Characteristics (see page A26)

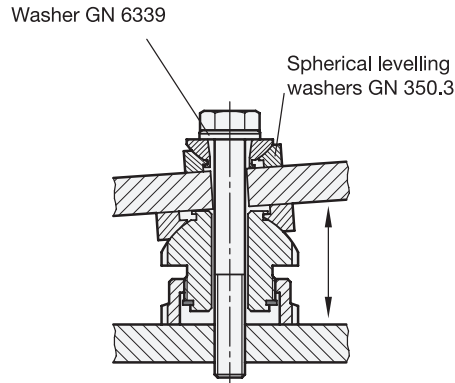
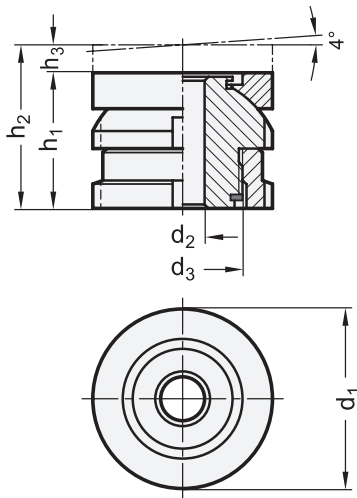
GN 350.2-ST

Description	d1	d2	h1	d3	h2	h3 Adjustable range	For screw	Static load F in kN F1	Static load F in kN F2	Code no. C-Spanner	
GN 350.2-25-6,6-22-ST	25	6,6	22	M 15 x 1	26	4	M 6	40*	30,7**	DIN 1810-A25-28	60
GN 350.2-25-6,6-35-ST	25	6,6	35	M 15 x 1	50	15	M 6	40*	30,7**	DIN 1810-A25-28	100
GN 350.2-32-6,6-26-ST	32	6,6	26	M 20 x 1	31	5	M 6	65*	55,7**	DIN 1810-A30-32	132
GN 350.2-32-6,6-43-ST	32	6,6	43	M 20 x 1	63	20	M 6	65*	55,7**	DIN 1810-A30-32	216
GN 350.2-32-9-26-ST	32	9	26	M 20 x 1	31	5	M 8	65*	48**	DIN 1810-A30-32	126
GN 350.2-32-9-43-ST	32	9	43	M 20 x 1	63	20	M 8	65*	48**	DIN 1810-A30-32	200
GN 350.2-32-11-26-ST	32	11	26	M 20 x 1	31	5	M 10	65*	37,9**	DIN 1810-A30-32	120
GN 350.2-32-11-43-ST	32	11	43	M 20 x 1	63	20	M 10	65*	37,9**	DIN 1810-A30-32	179
GN 350.2-45-11-34-ST	45	11	34	M 30 x 1,5	41	7	M 10	120*	92,9**	DIN 1810-A45-50	355
GN 350.2-45-11-54-ST	45	11	54	M 30 x 1,5	79	25	M 10	120*	92,9**	DIN 1810-A45-50	553
GN 350.2-45-13,5-34-ST	45	13,5	34	M 30 x 1,5	41	7	M 12	120*	80,4**	DIN 1810-A45-50	307
GN 350.2-45-13,5-54-ST	45	13,5	54	M 30 x 1,5	79	25	M 12	120*	80,4**	DIN 1810-A45-50	547
GN 350.2-45-17,5-34-ST	45	17,5	34	M 30 x 1,5	41	7	M 16	120*	45,5**	DIN 1810-A45-50	280
GN 350.2-45-17,5-54-ST	45	17,5	54	M 30 x 1,5	79	25	M 16	120*	45,5**	DIN 1810-A45-50	513
GN 350.2-58-17,5-44-ST	58	17,5	44	M 40 x 1,5	53	9	M 16	210*	136**	DIN 1810-A58-62	665
GN 350.2-58-17,5-70-ST	58	17,5	70	M 40 x 1,5	102	32	M 16	210*	136**	DIN 1810-A58-62	904
GN 350.2-58-22-44-ST	58	22	44	M 40 x 1,5	53	9	M 20	210*	90**	DIN 1810-A58-62	610
GN 350.2-58-22-70-ST	58	22	70	M 40 x 1,5	102	32	M 20	210*	90**	DIN 1810-A58-62	1030
GN 350.2-58-26-44-ST	58	26	44	M 40 x 1,5	53	9	M 24	210*	37**	DIN 1810-A58-62	560
GN 350.2-58-26-70-ST	58	26	70	M 40 x 1,5	102	32	M 24	210*	37**	DIN 1810-A58-62	975
GN 350.2-70-22-50-ST	70	22	50	M 50 x 1,5	60	10	M 20	330*	210**	DIN 1810-A68-75	1300
GN 350.2-70-22-83-ST	70	22	83	M 50 x 1,5	123	40	M 20	330*	210**	DIN 1810-A68-75	1800
GN 350.2-70-26-50-ST	70	26	50	M 50 x 1,5	60	10	M 24	330*	157**	DIN 1810-A68-75	940
GN 350.2-70-26-83-ST	70	26	83	M 50 x 1,5	123	40	M 24	330*	157**	DIN 1810-A68-75	1823
GN 350.2-70-33-50-ST	70	33	50	M 50 x 1,5	60	10	M 30	330*	53**	DIN 1810-A68-75	815
GN 350.2-70-33-83-ST	70	33	83	M 50 x 1,5	123	40	M 30	330*	53**	DIN 1810-A68-75	1618
GN 350.2-80-26-56-ST	80	26	56	M 60 x 2	68	12	M 24	495*	322**	DIN 1810-A80-90	1600
GN 350.2-80-26-94-ST	80	26	94	M 60 x 2	144	50	M 24	495*	322**	DIN 1810-A80-90	2888
GN 350.2-80-33-56-ST	80	33	56	M 60 x 2	68	12	M 30	495*	218**	DIN 1810-A80-90	1580
GN 350.2-80-33-94-ST	80	33	94	M 60 x 2	144	50	M 30	495*	218**	DIN 1810-A80-90	2560
GN 350.2-80-39-56-ST	80	39	56	M 60 x 2	68	12	M 36	495*	101**	DIN 1810-A80-90	1440
GN 350.2-80-39-94-ST	80	39	94	M 60 x 2	144	50	M 36	495*	101**	DIN 1810-A80-90	2252

* max. total load | ** max. load after deduction of the max. preload, for ST for screws 8.8 ($\mu = 0,125$)



Machine elements 9



GN 350.2-NI

STAINLESS STEEL

Description	d1	d2	h1	d3	h2	h3 Adjustable range	For screw	Static load F in kN F1	Static load F in kN F2	Code no. C-Spanner	
GN 350.2-25-6.6-22-NI	25	6.6	22	M 15 x 1	26	4	M 6	27.1*	20.26**	DIN 1810-A25-28	60
GN 350.2-25-6.6-35-NI	25	6.6	35	M 15 x 1	50	15	M 6	27.1*	20.26**	DIN 1810-A25-28	100
GN 350.2-32-6.6-26-NI	32	6.6	26	M 20 x 1	31	5	M 6	43.4*	36.56**	DIN 1810-A30-32	132
GN 350.2-32-6.6-43-NI	32	6.6	43	M 20 x 1	63	20	M 6	43.4*	36.56**	DIN 1810-A30-32	216
GN 350.2-32-9-26-NI	32	9	26	M 20 x 1	31	5	M 8	43.4*	30.86**	DIN 1810-A30-32	126
GN 350.2-32-9-43-NI	32	9	43	M 20 x 1	63	20	M 8	43.4*	30.86**	DIN 1810-A30-32	200
GN 350.2-32-11-26-NI	32	11	26	M 20 x 1	31	5	M 10	43.4*	23.41**	DIN 1810-A30-32	120
GN 350.2-32-11-43-NI	32	11	43	M 20 x 1	63	20	M 10	43.4*	23.41**	DIN 1810-A30-32	179
GN 350.2-45-11-34-NI	45	11	34	M 30 x 1.5	41	7	M 10	84*	64.01**	DIN 1810-A45-50	355
GN 350.2-45-11-54-NI	45	11	54	M 30 x 1.5	79	25	M 10	84*	64.01**	DIN 1810-A45-50	553
GN 350.2-45-13.5-34-NI	45	13.5	34	M 30 x 1.5	41	7	M 12	84*	54.82**	DIN 1810-A45-50	307
GN 350.2-45-13.5-54-NI	45	13.5	54	M 30 x 1.5	79	25	M 12	84*	54.82**	DIN 1810-A45-50	547
GN 350.2-45-17.5-34-NI	45	17.5	34	M 30 x 1.5	41	7	M 16	84*	28.90**	DIN 1810-A45-50	280
GN 350.2-45-17.5-54-NI	45	17.5	54	M 30 x 1.5	79	25	M 16	84*	28.90**	DIN 1810-A45-50	513
GN 350.2-58-17.5-44-NI	58	17.5	44	M 40 x 1.5	53	9	M 16	148*	92.90**	DIN 1810-A58-62	665
GN 350.2-58-17.5-70-NI	58	17.5	70	M 40 x 1.5	102	32	M 16	148*	92.90**	DIN 1810-A58-62	904
GN 350.2-58-22-44-NI	58	22	44	M 40 x 1.5	53	9	M 20	148*	59.08**	DIN 1810-A58-62	610
GN 350.2-58-22-70-NI	58	22	70	M 40 x 1.5	102	32	M 20	148*	59.08**	DIN 1810-A58-62	1030
GN 350.2-58-26-44-NI	58	26	44	M 40 x 1.5	53	9	M 24	148*	20.30**	DIN 1810-A58-62	560
GN 350.2-58-26-70-NI	58	26	70	M 40 x 1.5	102	32	M 24	148*	20.30**	DIN 1810-A58-62	975
GN 350.2-70-22-50-NI	70	22	50	M 50 x 1.5	60	10	M 20	225*	136.08**	DIN 1810-A68-75	1300
GN 350.2-70-22-83-NI	70	22	83	M 50 x 1.5	123	40	M 20	225*	136.08**	DIN 1810-A68-75	1800
GN 350.2-70-26-50-NI	70	26	50	M 50 x 1.5	60	10	M 24	225*	97.30**	DIN 1810-A68-75	940
GN 350.2-70-26-83-NI	70	26	83	M 50 x 1.5	123	40	M 24	225*	97.30**	DIN 1810-A68-75	1823
GN 350.2-70-33-50-NI	70	33	50	M 50 x 1.5	60	10	M 30	225*	20.60**	DIN 1810-A68-75	815
GN 350.2-70-33-83-NI	70	33	83	M 50 x 1.5	123	40	M 30	225*	20.60**	DIN 1810-A68-75	1618
GN 350.2-80-26-56-NI	80	26	56	M 60 x 2	68	12	M 24	323*	195.30**	DIN 1810-A80-90	1600
GN 350.2-80-26-94-NI	80	26	94	M 60 x 2	144	50	M 24	323*	195.30**	DIN 1810-A80-90	2888
GN 350.2-80-33-56-NI	80	33	56	M 60 x 2	68	12	M 30	323*	118.60**	DIN 1810-A80-90	1580
GN 350.2-80-33-94-NI	80	33	94	M 60 x 2	144	50	M 30	323*	118.60**	DIN 1810-A80-90	2560
GN 350.2-80-39-56-NI	80	39	56	M 60 x 2	68	12	M 36	323*	38.20**	DIN 1810-A80-90	1440
GN 350.2-80-39-94-NI	80	39	94	M 60 x 2	144	50	M 36	323*	38.20**	DIN 1810-A80-90	2252

* max. total load | ** max. load after deduction of the max. preload, for NI for screws 6.8 (μ = 0,14)

